



Date: - 18th November, 2019

Corrigendum
for
Flat panel C-arm with DSA for the Department of
Radiology

NIT Issue Date	: 30 th July, 2019
NIT No.	: Admn/Tender/26/2019-AIIMS.JDH
Pre-Bid Meeting	: 12 th August, 2019 at 03:15 PM
Earlier Last Date of Submission	: 14 th November, 2019 at 03:00 PM
Extended Last Date of Submission	: 28 th November, 2019 at 03:00 PM
Bid opening	: 29 th November, 2019 at 03:15 P.M

The following revised and additional specification will be added:-

1. Page No. 10: Point 1 GANTRY/C-ARM, sub point e)

For

The C-arm should have orbital movement of + 90 / - 45 degrees for better penetration in Crania/caudal movement.

Read

The C-arm should have motorized orbital movement of + 90 / - 45 degrees for better penetration in Crania/caudal movement.

2. Page No. 10: Point 1 GANTRY/C-ARM, sub point g)

For

The C-arm should provide side to side (wig-wag) and the horizontal travel movements to allow panning during an imaging.

Read

The C-arm should provide motorized side to side (wig-wag) and the horizontal travel (motorized) 200 mm or more movements to allow panning during an imaging.

3. Page No. 10: Point 2 GENERATOR & X-RAY TUBE, sub point a)

For

The generator should be Micro Processor controlled converter type with output of 12 KW or more and minimum 50 kHz frequency (or higher).

Read

The generator should be Micro Processor controlled converter type with output of 25 KW or more and minimum 50 kHz frequency (or higher).

4. Page No. 10: Point 2 GENERATOR & X-RAY TUBE, sub point c)

For

Fluoroscopic mA range : 4 mA - 60 mA

Read

Fluoroscopic mA range : 4 mA - 200 mA

5. Page No. 10: Point 2 GENERATOR & X-RAY TUBE, sub point j)

For

Anode heat storage capacity should be 300 KH.U. or higher

Read

Anode heat storage capacity should be 315 KH.U. or higher

6. Page No. 10: Point 3 FLAT PANEL DETECTOR SYSTEM, sub point b)

For

The Size of the detector should be of min 28 cm X 28 cm

Read

The Size of the detector should be of min 30cm x 30cm

7. Page No. 10: Point 3 FLAT PANEL DETECTOR SYSTEM, sub point d)

For

The system should be equipped with two high-resolution 18” LCD/TFT medical grade monitors or more.

Read

The system should be equipped with two high-resolution & High brightness 18” LCD/TFT medical grade monitors or more with following specifications.

- Resolution :1280X1024 pixels or more
- Viewing Angle (Horizontal & Vertical) : 170°
- Tilt Range : ±10°
- Contrast Ratio : 900:1 or more
- Dimensions: 68cm X 45 cm X 9 cm

8. Page No. 11: Point 6 Independent Post Processing Workstation

Please add (New Point)

g) Mobile console station with lead glass (120x100 cm) in upper part to keep the workstation

9. Page No. 12: Point I

For

Adjustable and movable radiation protection shield from reputed make: Two

Read

This point is to be deleted

10. Page No. 13: Point L

For

Lead Barrier:

Read

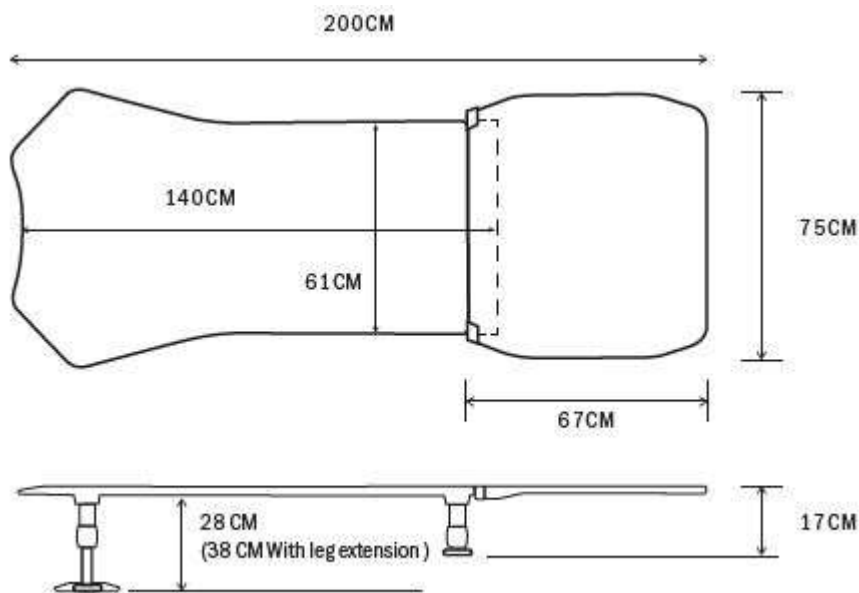
Lead Barrier: (One with following specification)

11. Page No. 13:

Please Add (New Point) “N”

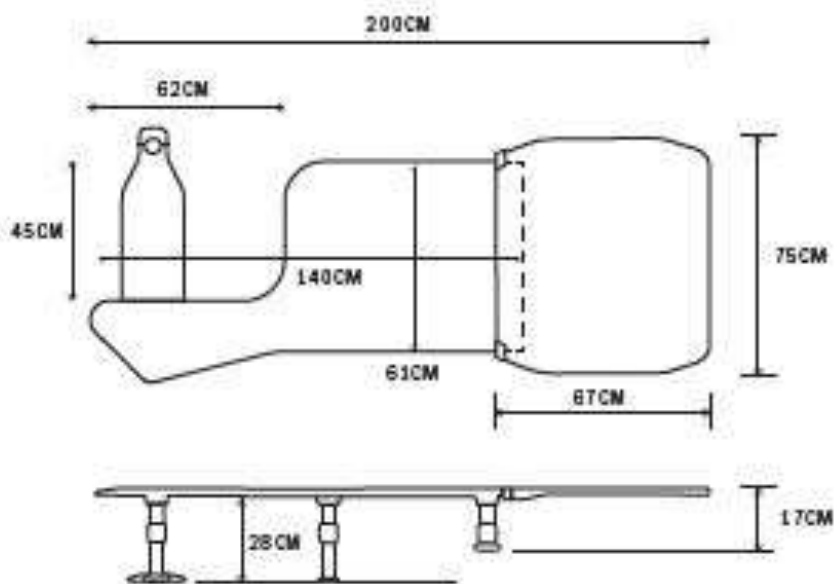
IR Platform 1 : An over patient flat top work surface to provide work surface for procedures requiring retrograde femoral access (After discussion with the Department).The system should have the following broad specifications:

- **Strong work surface**
- **Radiolucent material**
- **Option for extension**
- **Easy to clean**



IR Platform 2 with drape support: An over patient flat top work surface to provide work surface for procedures requiring antegrade femoral access (After discussion with the Department). The system should have the following broad specifications:

- Strong work surface
- Radiolucent material
- Option for extension
- Easy to clean



12. Page No. 13: Point 8

For Site Modification

Vendor will prepare the room with wall tiling (2'x2') up to false ceiling. Gypsum false ceiling with lighting to be provided. PVC 3mm flooring to be provided. Room to be prepared as per AERB Guidelines. Two split a/c of 2 ton each of reputed make to be provided

Read Site Modification/Turnkey

Vendor will prepare the room (size 400 sq feet) including dismantling, plaster, adequate electricity wiring, wall tiling (2'x2') up to false ceiling. Gypsum false ceiling with

lighting to be provided. PVC 3mm flooring to be provided. Room to be prepared as per AERB Guidelines. Ductable a/c of 5 ton or higher of reputed make necessary for DSA room to be provided. The supplier should provide cable trench work inside the room.

Also provide fire safety and rodent safety measures. One finger print access control system to be provided. Customized furniture including cabinets/ cupboards to store paddles, accessories etc. Single ergonomic table and 2 mid back revolving chair.

The civil, mechanical, electrical work including main electrical supply up to the proposed site will be done by vendor. Any other additional requirement / necessary modifications are required for the commissioning of the equipment, it will be done by the vendor.

The vendor should visit the site for same.

13. Point 8 Site Modification

For

- a. Dual use scrub station of reputed company with automated hand sterilizer solution and medicated hand sponges.
- b. Upgradation of existing scrub in the DSA room to include automated hand steriliser solution and medicated hand sponges (kindly contact Department of Radiology for any clarifications)
- c. Floor to roof tile finish for DSA room walls: please visit the DSA room for details regarding scope of work.

Read

- Dual use scrub station of reputed company
- Upgradation of existing scrub in the DSA room to include automated hand steriliser solution and medicated hand sponges (kindly contact Department of Radiology for any clarifications)
- Floor to roof tile finish for existing DSA room walls: please visit the DSA room for details regarding scope of work.
- Dehumidifier for DSA room (50 square metre area)

14. Page no 16, point 11 Others (new point)

add: 11. Others

- The supplier should provide onsite operational training to radiographers during warranty period and CMC period.
- The supplier should provide Software in any time during breakdown during warranty and life span of the equipment without any charges and free of cost.
- The supplier should provide any up gradation software during warranty and life span of the equipment without any charges and free of cost.
- The supplier should process to obtaining AERB procurement permission and operational license for DSA
- There must be separate UPS backup for viewing outside the DSA room.
- The backup power supply must be provided by the bidder along with necessary accessories.
- Separate lead protection must be provided for under table apparatus also.
- Operator lamp - Ceiling-mounted examination lamp for diagnostics and minor surgery. Luminance -50,000 Lux for 100 cm distance. Halogen lamp: 22.8 V/50W, power supply examination lamp 230 V

15. Page No. 16, Point 10 “Essential Certification”

For

The offered model (Main Equipment) must have a valid quality certificates – **CE (Europe) and USA FDA**, at the time of submission of tender

Read

The offered model (Main Equipment) must have a valid quality certificates – **CE (Europe) or USA FDA**, at the time of submission of tender